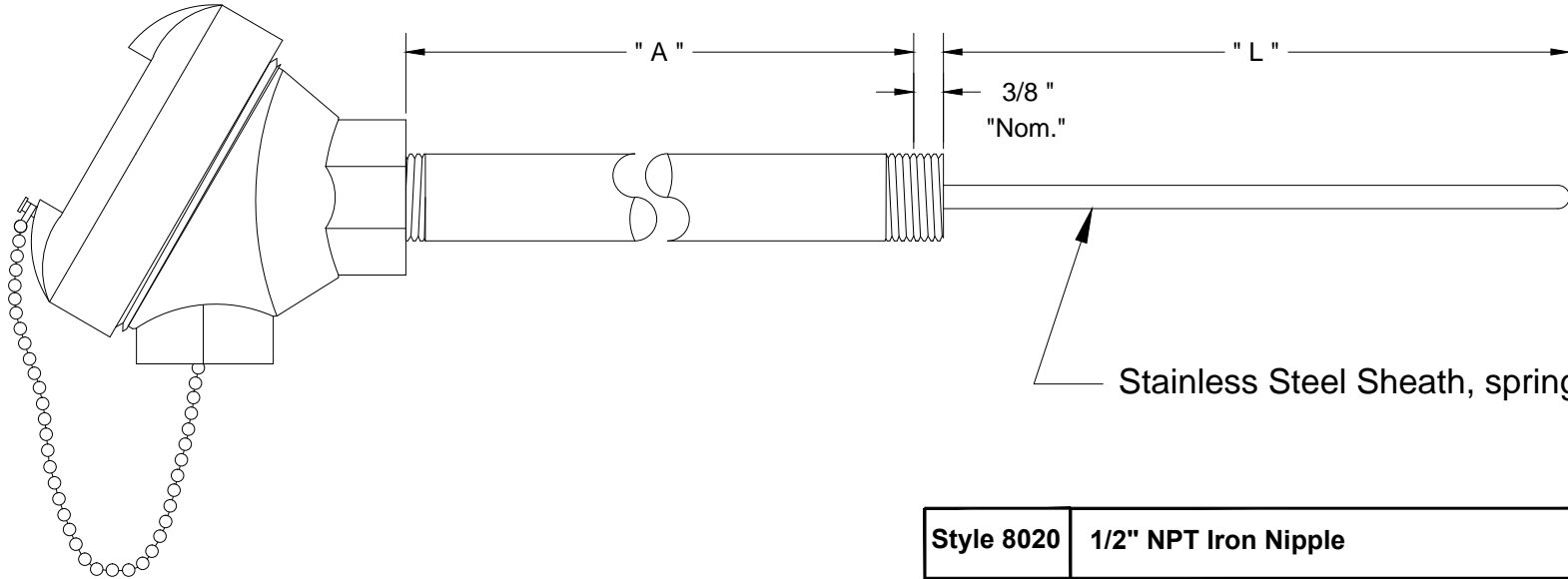




THERMOCOUPLE TECHNOLOGY, INC.

Series 8000 Resistance Temperature Detectors

Cast Aluminum, Weatherproof
Head (Style 11001) with
3/4" Conduit Connection &
Terminal Block (Standard)



Stainless Steel Sheath, spring loaded.

Style 8020	1/2" NPT Iron Nipple
Style 8027	1/2" NPT Stainless Steel Nipple
	Specify: Element Type Single or Dual Number of Leads "L" & "A" Dimensions (Inches) Sheath Material Sheath Diameter Maximum Temperature Options (If any)

STYLES 8020, 8027

Thermocouple Technology, Inc.
350 New Street
Quakertown, Pa 18951
Phone: 215-529-9394 FAX: 215-529-9397 www.tteconline.com