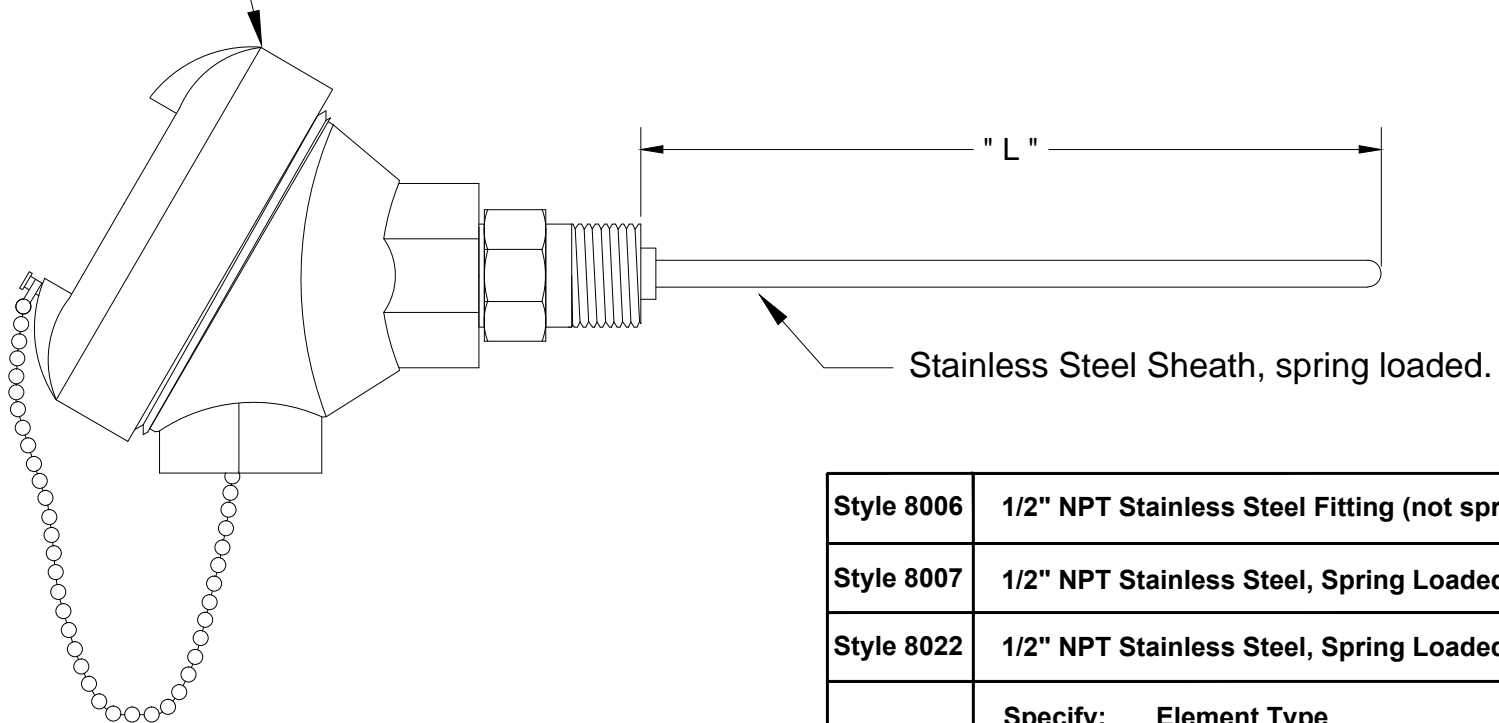




THERMOCOUPLE TECHNOLOGY, INC.

Series 8000
Resistance Temperature Detectors

Cast Aluminum, Weatherproof
Head (Style 11001) with
3/4" Conduit Connection &
Terminal Block (Standard)



Style 8006	1/2" NPT Stainless Steel Fitting (not spring loaded).
Style 8007	1/2" NPT Stainless Steel, Spring Loaded Fitting.
Style 8022	1/2" NPT Stainless Steel, Spring Loaded Oil Seal Fitting
	<p>Specify:</p> <ul style="list-style-type: none"> Element Type Single or Dual Number of Leads "L" Dimension (Inches) Sheath Material Sheath Diameter Maximum Temperature Options (If any)

STYLES 8006, 8007, 8022

Thermocouple Technology, Inc.
350 New Street
Quakertown, Pa 18951
Phone: 215-529-9394 FAX: 215-529-9397 www.tteconline.com