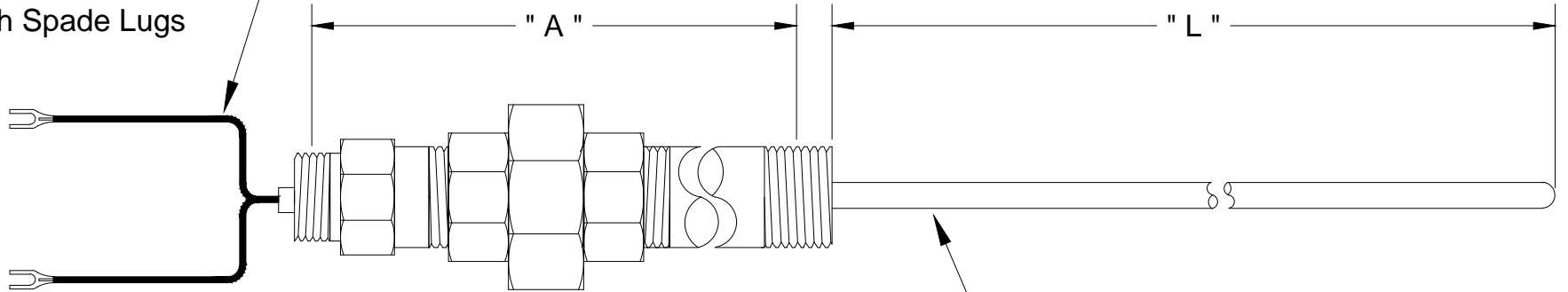




THERMOCOUPLE TECHNOLOGY, INC.

Spring Loaded
Tecpak™ Thermocouples

9" Flexible Leads
with Spade Lugs



MgO Insulated Sheath, spring loaded.

Style 1033	1/2" NPT Stainless Steel, Spring Loaded Fitting, Iron Union/Nipple
Style 1034	1/2" NPT Stainless Steel, Spring Loaded Fitting, Stainless Steel Union/Nipple
	Specify: Calibration Type "L" & "A" Dimensions (Inches) Simplex or Duplex Sheath Material Sheath Diameter Grounded or Ungrounded Options (If any)

STYLES 1033, 1034

Thermocouple Technology, Inc.
350 New Street
Quakertown, Pa 18951
Phone: 215-529-9394 FAX: 215-529-9397 www.tteonline.com