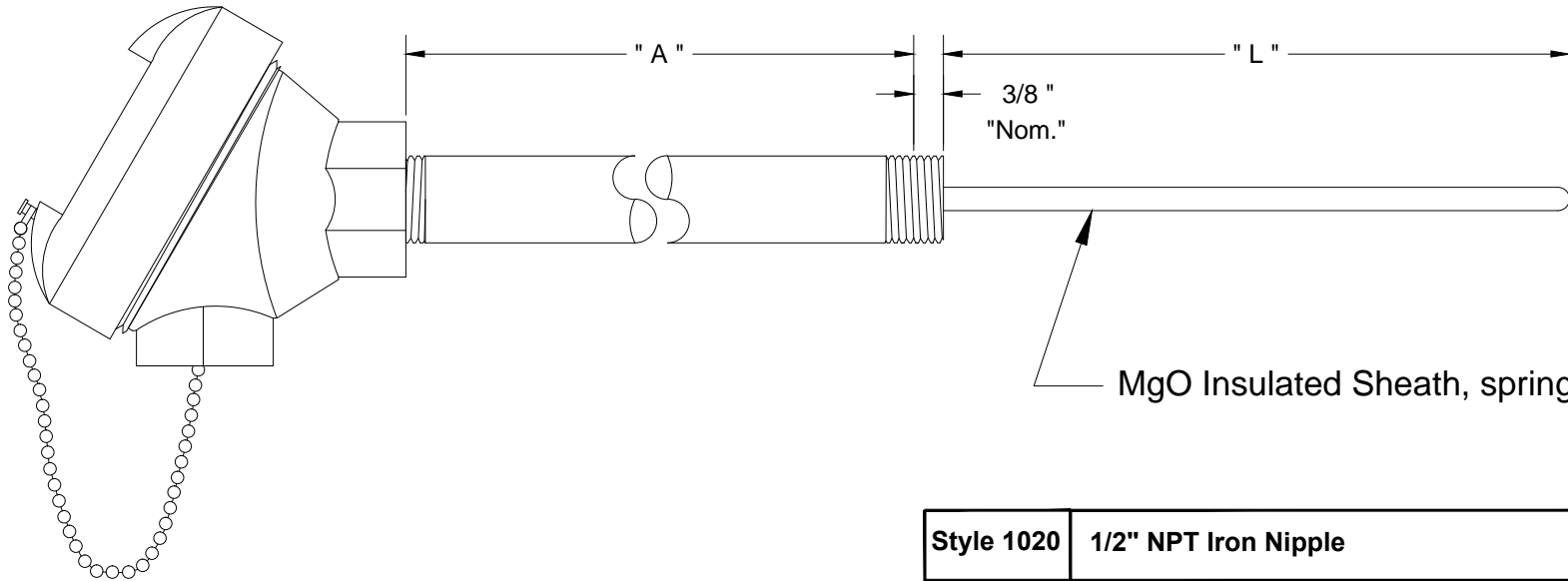




# THERMOCOUPLE TECHNOLOGY, INC.

Spring Loaded  
Tecpak™ Thermocouples

Cast Aluminum, Weatherproof  
Head (Style 11001) with  
3/4" Conduit Connection &  
Terminal Block (Standard)



MgO Insulated Sheath, spring loaded.

Style 1020	1/2" NPT Iron Nipple
Style 1027	1/2" NPT Stainless Steel Nipple
	<b>Specify:</b> Calibration Type "L" & "A" Dimensions (Inches) Simplex or Duplex Sheath Material Sheath Diameter Grounded or Ungrounded Options (If any)

STYLES 1020, 1027

Thermocouple Technology, Inc.  
350 New Street  
Quakertown, Pa 18951  
Phone: 215-529-9394 FAX: 215-529-9397 [www.tteconline.com](http://www.tteconline.com)