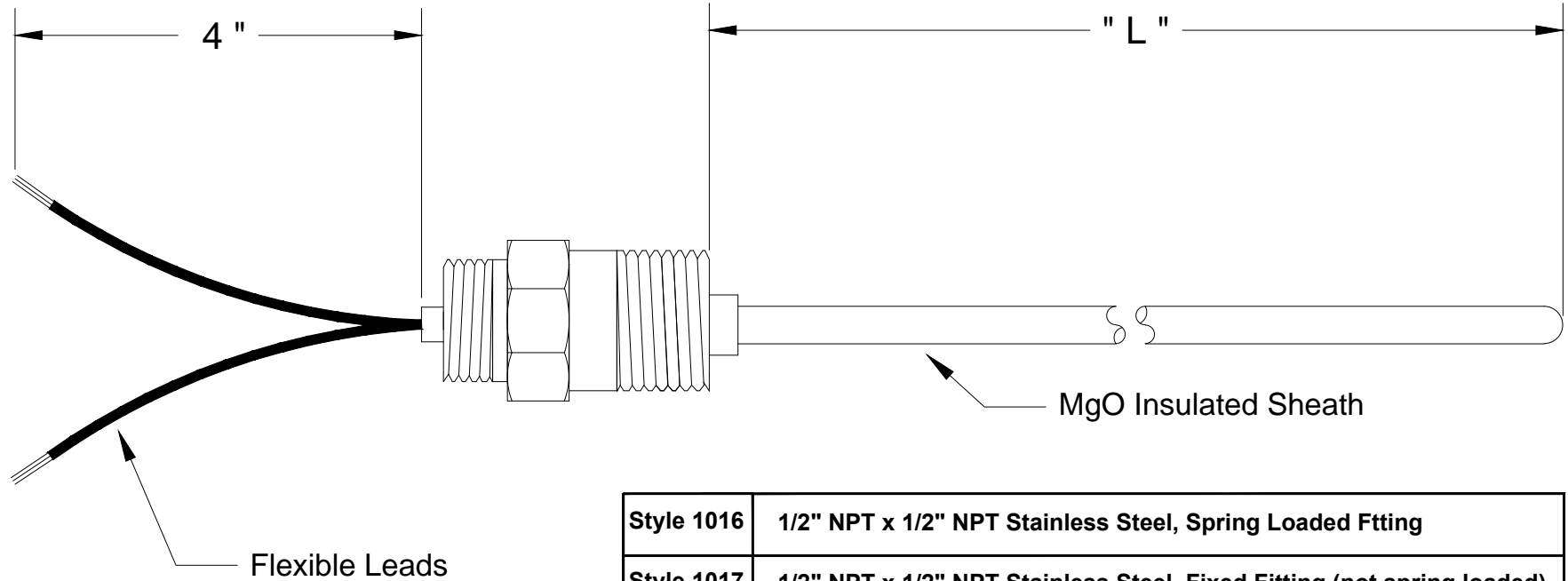




THERMOCOUPLE TECHNOLOGY, INC.

Spring Loaded
Tecpak™ Thermocouples



Style 1016	1/2" NPT x 1/2" NPT Stainless Steel, Spring Loaded Fitting
Style 1017	1/2" NPT x 1/2" NPT Stainless Steel, Fixed Fitting (not spring loaded)
Style 1019	1/2" NPT x 1/2" NPT Stainless Steel, Spring Loaded Oil Seal Fitting
	Specify: Calibration Type "L" Dimension (Inches) Simplex or Duplex Sheath Material Sheath Diameter Grounded or Ungrounded Options (If any)

STYLES 1016, 1017, 1019

Thermocouple Technology, Inc.
350 New Street
Quakertown, Pa 18951
Phone: 215-529-9394 FAX: 215-529-9397 www.tteconline.com