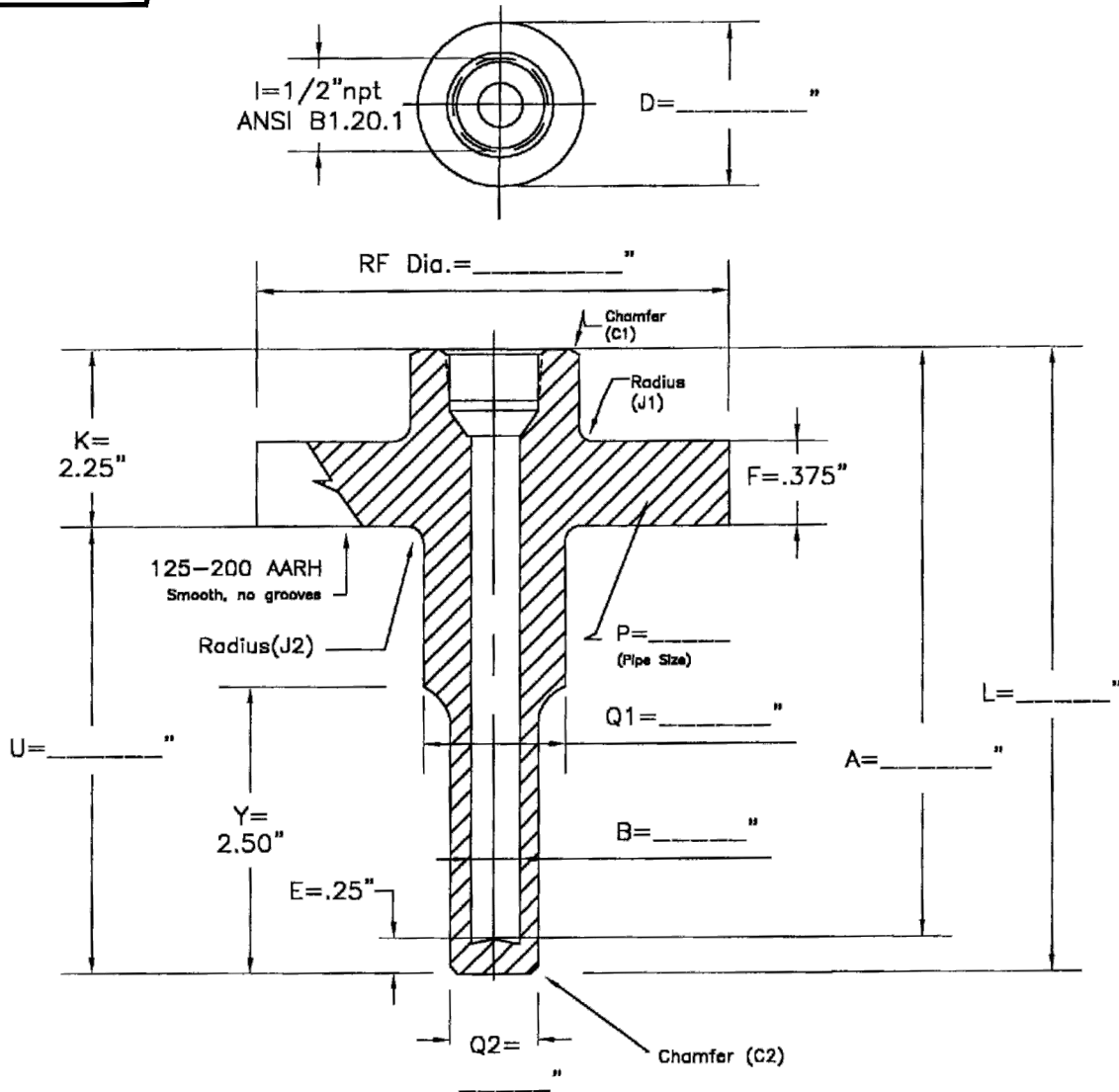




THERMOCOUPLE TECHNOLOGY, INC.

Van Stone
Reduced
.260" Bore



<p>1" Pipe Size Style 10050</p> <p>1 1/2" Pipe Size Style 10051</p> <p>2" Pipe Size Style 10052</p>	<p>1. BORE (B) = .260"</p> <p>2. MANUFACTURER'S STANDARD O.D.s:</p> <table border="1"> <thead> <tr> <th>NPS (P)</th> <th>D</th> <th>RF Dia.</th> <th>Q1*</th> <th>Q2*</th> </tr> </thead> <tbody> <tr> <td>1"</td> <td>1.315"</td> <td>2.000"</td> <td>.750"</td> <td>.500"</td> </tr> <tr> <td>1 1/2"</td> <td>1.900"</td> <td>2.875"</td> <td>.875"</td> <td>.500"</td> </tr> <tr> <td>2"</td> <td>2.375"</td> <td>3.625"</td> <td>1.250"</td> <td>.875"</td> </tr> </tbody> </table> <p>* U2.5" & LESS: (P) 1" : Q1 & Q2 =.500" * U2.5" & LESS: (P) 1 1/2" & (P) 2" : Q1 & Q2 =.750"</p> <p>3. TOLERANCES: Reference document Series V</p>	NPS (P)	D	RF Dia.	Q1*	Q2*	1"	1.315"	2.000"	.750"	.500"	1 1/2"	1.900"	2.875"	.875"	.500"	2"	2.375"	3.625"	1.250"	.875"
NPS (P)	D	RF Dia.	Q1*	Q2*																	
1"	1.315"	2.000"	.750"	.500"																	
1 1/2"	1.900"	2.875"	.875"	.500"																	
2"	2.375"	3.625"	1.250"	.875"																	

STYLE 10050, 10051, 10052

Thermocouple Technology, Inc.
350 New Street
Quakertown, Pa 18951
Phone: 215-529-9394 FAX: 215-529-9397 www.tteconline.com