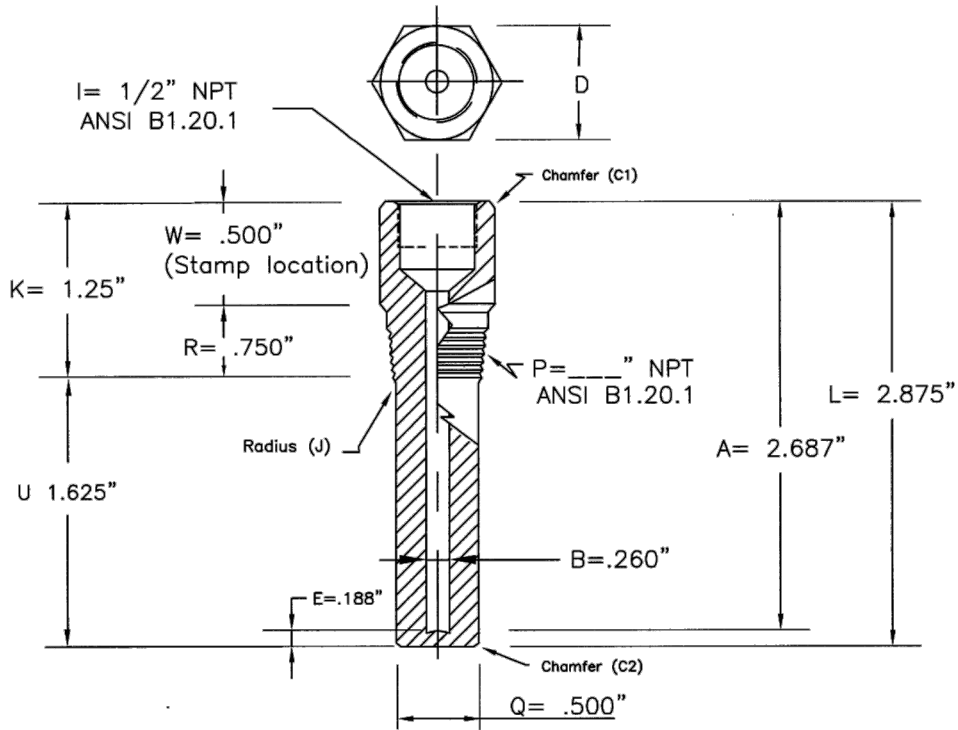




THERMOCOUPLE TECHNOLOGY, INC.

Limited Space

Straight
.260" Bore



<p>L 5 0</p>	<p>1/2" Process Connection Style 10037 Specifications: See Notes 1-4 a. Instr. Conn.drill & tap .500" depth, and b. "D" = 1-1/8" hex, See Note 2</p>	<p>1. STANDARD BIMET LENGTHS:</p> <table border="1"> <thead> <tr> <th>"A"</th> <th>"U"</th> <th>"L"</th> </tr> </thead> <tbody> <tr> <td>2.687"</td> <td>1.625</td> <td>2.875"</td> </tr> </tbody> </table> <p>2.STANDARD HEX MATERIALS: 304:304/Lss 316:316/Lss CS:CS 1018 BR: Brass a.Other material grades are available only in round bar with (2) wrench flats.</p> <p>3. STANDARD SHANK O.D.s: L50 Q = .500" L75: Q = .500" L10: Q = .500"</p> <p>4. TOLERANCES: Reference document: Series T</p>	"A"	"U"	"L"	2.687"	1.625	2.875"
"A"	"U"		"L"					
2.687"	1.625		2.875"					
<p>L 7 5</p>	<p>3/4" Process Connection Style 10039 Specifications: See Notes 1-4 "D" = 1-1/8" hex, See Note 2</p>							
<p>L 1 0</p>	<p>1" Process Connection Style 10040 Specifications: See Notes 1-4 "D" = 1-3/8" hex, See Note 2</p>							

STYLES 10037, 10039, 10040

Thermocouple Technology, Inc.
 350 New Street
 Quakertown, Pa 18951
 Phone: 215-529-9394 FAX: 215-529-9397 www.tteonline.com