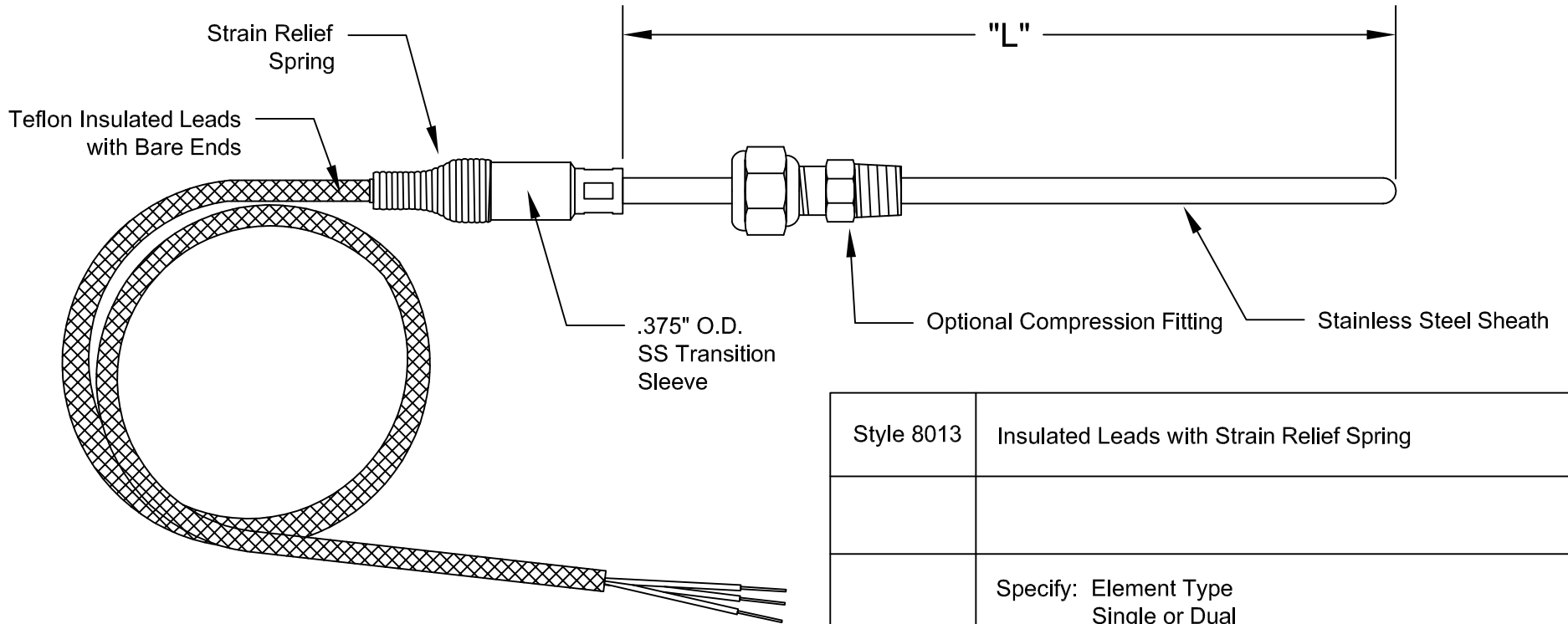




# THERMOCOUPLE TECHNOLOGY, INC.

Series 8000  
Resistance Temperature Detectors



Style 8013	Insulated Leads with Strain Relief Spring
	Specify: Element Type Single or Dual Number of Leads "L" Dimension (inches) Sheath Material Sheath Diameter Maximum Temperature Lead Wire Length (Inches) Options (if any)

STYLE 8013

Thermocouple Technology, Inc.  
350 New Street  
Quakertown, Pa 18951  
Phone: 215-529-9394 FAX: 215-529-9397 [www.tteonline.com](http://www.tteonline.com)