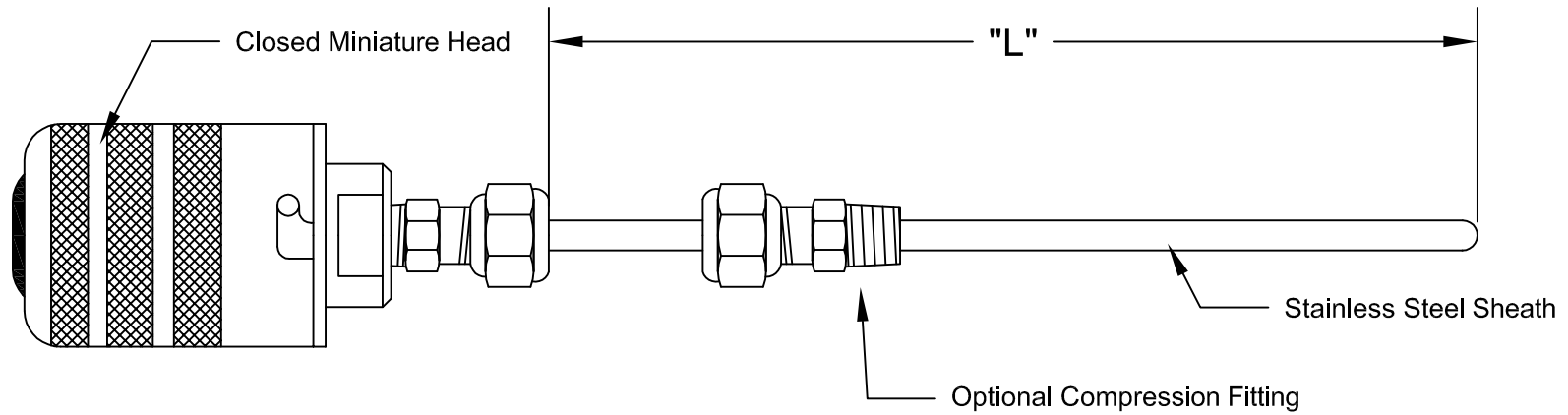




THERMOCOUPLE
TECHNOLOGY, INC.

Series 8000
Resistance Temperature Detectors



Style 8011	Closed Miniature Head (Nickel - Plated Steel)
	Specify: Element Type Single or Dual Number of Leads "L" Dimension (inches) Sheath Material Sheath Diameter Maximum Temperature Options (if any)

STYLE 8011

Thermocouple Technology, Inc.
350 New Street
Quakertown, Pa 18951
Phone: 215-529-9394 FAX: 215-529-9397 www.tteonline.com