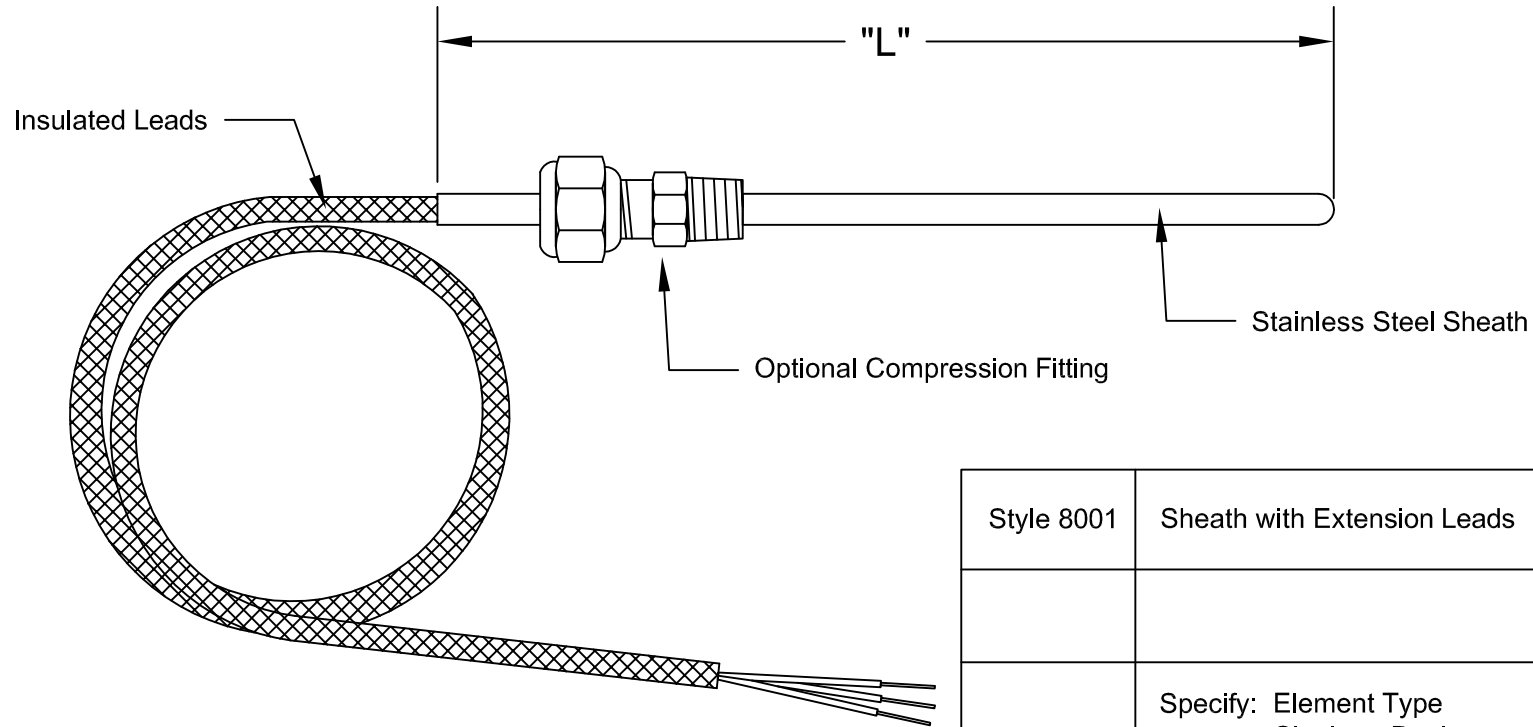




THERMOCOUPLE
TECHNOLOGY, INC.

Series 8000
Resistance Temperature Detectors



Style 8001	Sheath with Extension Leads
	Specify: Element Type Single or Dual Number of Leads "L" Dimension (inches) Sheath Material Sheath Diameter Maximum Temperature Lead Wire Length (Inches) Options (if any)

STYLE 8001

Thermocouple Technology, Inc.
350 New Street
Quakertown, Pa 18951
Phone: 215-529-9394 FAX: 215-529-9397 www.tteonline.com