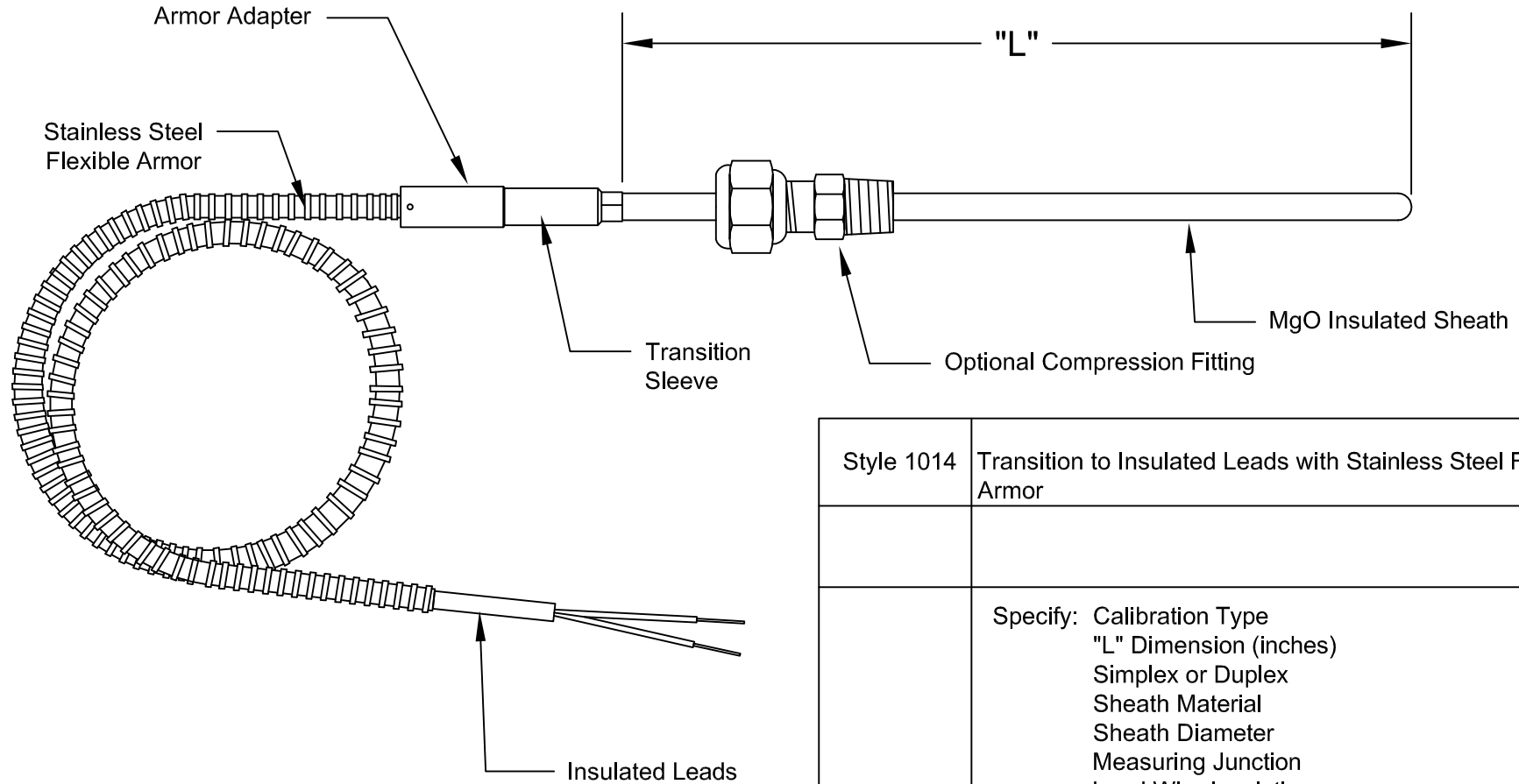




THERMOCOUPLE TECHNOLOGY, INC.

TECPAK™ Thermocouples



Style 1014	Transition to Insulated Leads with Stainless Steel Flexible Armor
	Specify: Calibration Type "L" Dimension (inches) Simplex or Duplex Sheath Material Sheath Diameter Measuring Junction Lead Wire Insulation Armor Length (Inches) Lead Wire Termination Options (if any)

STYLE 1014 WITH SS FLEXIBLE ARMOR

Thermocouple Technology, Inc.
350 New Street
Quakertown, Pa 18951
Phone: 215-529-9394 FAX: 215-529-9397 www.tteonline.com